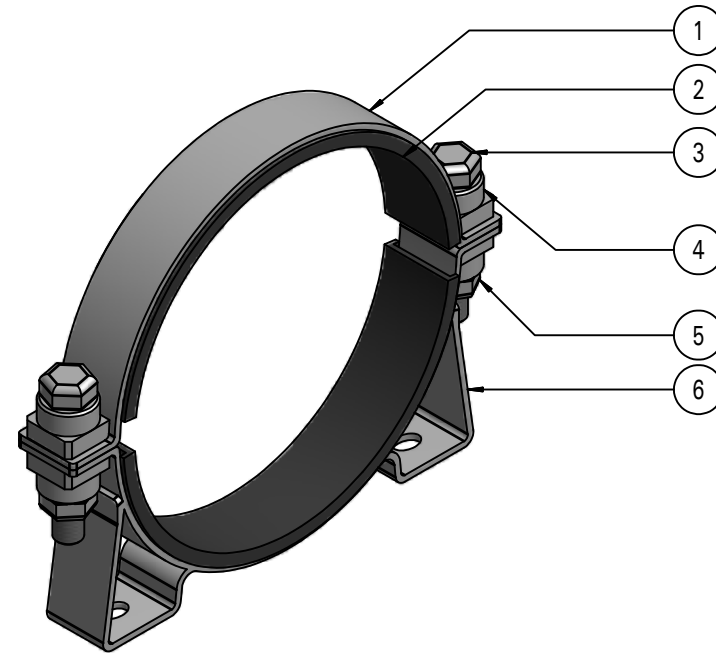
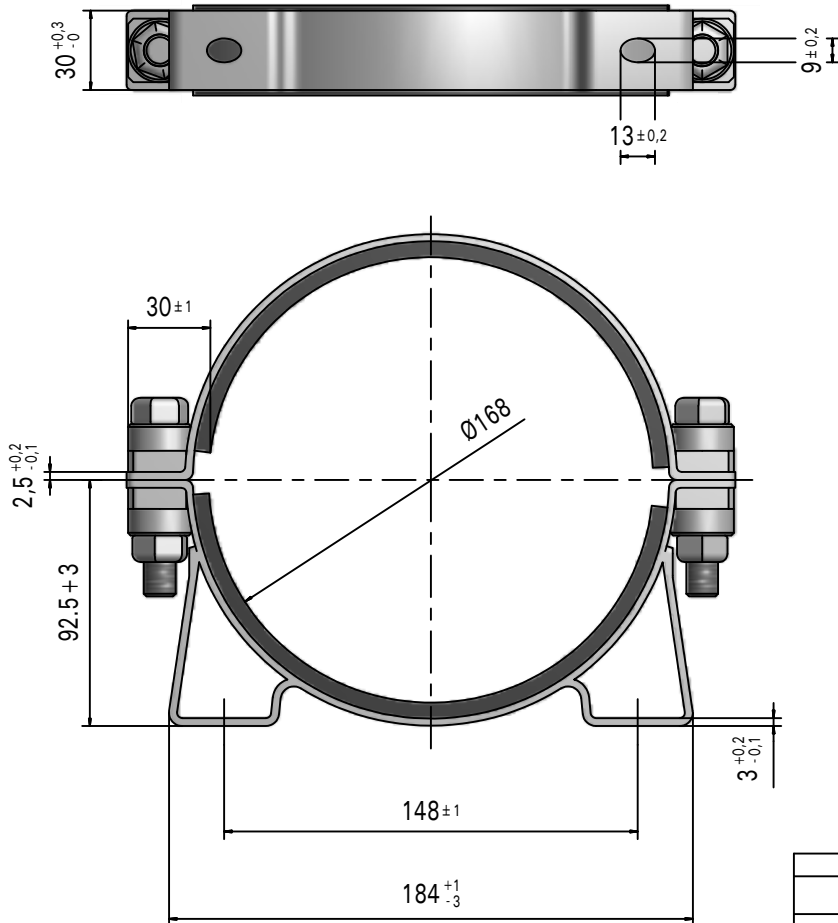


Quotation drawing

CR1680E
Collare / Clamps
Quotation drawing

BILL OF MATERIALS / Distinta materi		
Descrpti	Mater	Pos
1	1	Band
2	1	Rubber Profile
3	1	Hexagonal screw
4	1	Guiding sleeve
5	1	Hexagonal nut
6	1	Console



	Date	Name:	DESCRIPTION:	SCALE:
DRAWN:	16/06/2016	E.L.	Clamps for pulsation dampener	
CHECKED:	16/06/2016	C.A.		
APPROVED:				
ALL DIMENSION ARE IN MILLIMETER EXCEPT WHERE OTHERWISE NOTED	Projection:ISO128	FOX S.r.l. Via Romagna 6 20090 Opera (MI) ITALY	DRAWING No/FILE NAME CLAMPS CR1680E	SHEET
				OF

THIS DRAWING IS PROPERTY OF FOX S.r.l. COPYRIGHT , PATENTS AND ALL INDUSTRIAL PROPERTY RIGHTS RESERVED